



**Altas**  
generator

# Aj Âles 110 Technical Specifications

[www.altasgenerator.com.tr](http://www.altasgenerator.com.tr)



## Standart Features

- Flexible oil pipes and oil draining valve
- Pre-heater
- Lubrication oil and anti-freeze
- Batteries and cables
- Electrostatic paint coated, steel, welded chassis
- Fuel tank housed in the chassis
- Electronic battery charger



## Output Values

### Standby Power

kVA	kW	Amper
110	88	158

### Prime Power

kVA	kW	Amper
99	79	143

## Diesel Engine

Cutting edge motor brands are used that are compatible with ISO 8528, ISO 3046, BS 5514, DIN 6271 standards, with their low fuel consumption, fuel pump mounted, mechanic and electronic type governor.

Brand	Âles	
Model	R6105ZD	
Max. Total Output Power	kWm / hp	84/114
Cylinder Displacement	lt	6,49
Cylinder Orientation	6 Single Line	
Bore x Stroke	mm*mm	105*125
Compression Ratio	16:01	
Governor Type	Mechanic	
Rotation	rpm	1500 RPM
Aspiration System	Turbo Charge	
Injection	Direct	
Cooling System	Water Cooled	
Electrical System	V DC	24
Oil Capacity	lt	18
Engine Coolant Capacity	lt	29
Fuel Consumption %50	lt/h	9,6
Fuel Consumption %75	lt/h	15
Fuel Consumption %100	lt/h	19,7

## Alternator

4 poles, self-excitation, brushless, synchro type alternator, electronic type voltage regulator with a maintenance-free bearing system that enables precision voltage adjustment.

Standby Power	kVa / kW	128/97
Prime Power )	kVa / kW	109/87
Brand		ALTAŞ
Output Voltage	V	230/400
Frequency	Hz	50
Stationary Vol. Regulation	±	1%
Short Circuit Current		%300 (100 sec)
Insulation		H
Protection		IP23
Efficiency	(%)	90,8
Overloading		110% for 1 hour
Power Factor	(cos Q=0.8)	0,8
Tot. Harmonic Dist. Rate		<3 %
Connection Type		Star
Number of Pole		4
Number of Bearing		Single

## Dimensions

### Genset Without Canopy

Width(mm)	Length(mm)	High(mm)	Weight(kg)
1100	2500	1790	1160

#### Fuel Tank Capacity

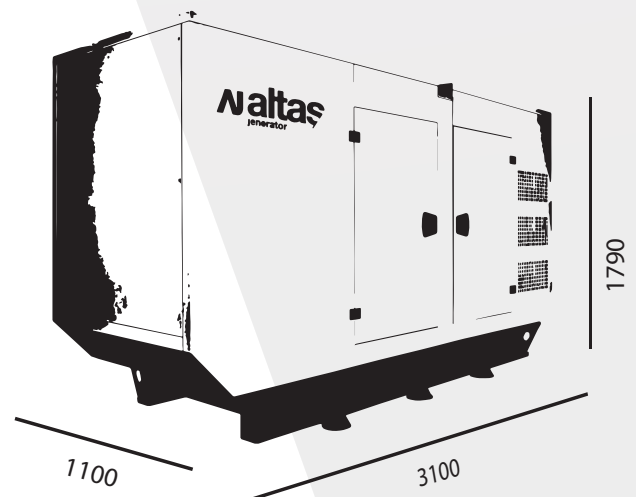
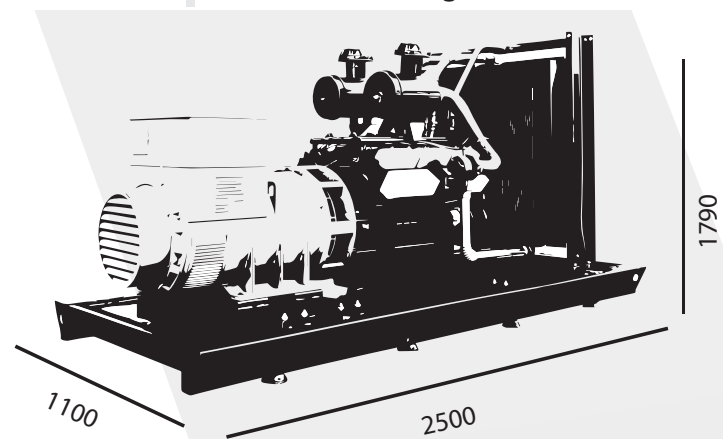
250 lt

### Genset With Canopy

Width(mm)	Length(mm)	High(mm)	Weight(kg)
1100	3100	1790	1390

#### Fuel Tank Capacity

250 lt



## Optional Features

- Soundproof canopy
- Transfer switch
- Fuel sedimentary filter
- Alternator output switch
- Heating system for fuel tank
- Oil heater
- External fuel tank and transfer pump
- Remote control and monitoring
- Synchronization systems
- Special type exhaust muffler
- Trailer

## Control Panel Features



- Diesel and gas genset support
- 400Hz operation support
- 400 event logs, full snapshot
- All parameters front panel editable
- 3 level configuration password
- 128x64 graphical LCD display
- Downloadable language
- Waveform display of V&I
- Harmonic analysis of V&I
- 16 Amp MCB & GCB outputs
- 8 configurable digital inputs
- 6 configurable digital outputs
- 3 configurable analog inputs
- CANBUS-J1939 & MPU input
- 3 configurable service alarms
- Multiple automatic exerciser
- Weekly operation schedule
- Dual mutual standby with equal aging of gensets
- Manual 'speed fine adjust' on selected ECUs
- Automatic fuel pump control
- Disable protections feature
- Excess power protection
- Reverse power protection
- Overload IDMT protection
- Load shedding, dummy load
- Multiple load management
- Current unbalance protection
- Voltage unbalance protection
- Fuel filling & fuel theft alarms
- Battery back-up real time clock
- Idle speed control
- Battery charge run enabled
- Combat mode support
- Multiple nominal conditions
- Contactor & MCB drive
- 4 quadrant genset power counters
- Mains power counters
- Fuel filling counter
- Fuel consumption counter
- Modem diagnostics
- Configurable through USB, RS-232 and GPRS
- Free configuration software
- SMS controls enabled
- Ready for central monitoring
- Mobile genset support
- Automatic GSM geo-location
- GPS connection (RS232)
- USB firmware upgrade
- IP65 rating with standard gasket